

9	CR-PHMS 0.19-32x0.5x0.5-N	Machine Screw 10-32 x 1/2" lg PHMS	4
8	CR-PHMS 0.138-32x0.25x0.25-N	Machine Screw 6-32 x 1/4" lg PHMS	12
7	MSHXNUT 0.112-40-S-N	Machine Hex Nut 4-40	4
6	RAF-0380-SS	4-40 Captive & Panel Screws - Knurled Head with Slot	2
5	HEYCO-2810-2811	Single Locking Step Heyco® Shorty Bushings	3
4	CH-0013-001	T9261 Front Panel	1
3	CH-0012-001	T9261 Rack Shelf Z bracket	6
2	CH-0011-001	T21 Rack Mount Front Angle	2
1	CH-0010-001	T21 Rack Shelf Tray	1
ITEM NO.	PART NUMBER	DESCRIPTION	QTY.

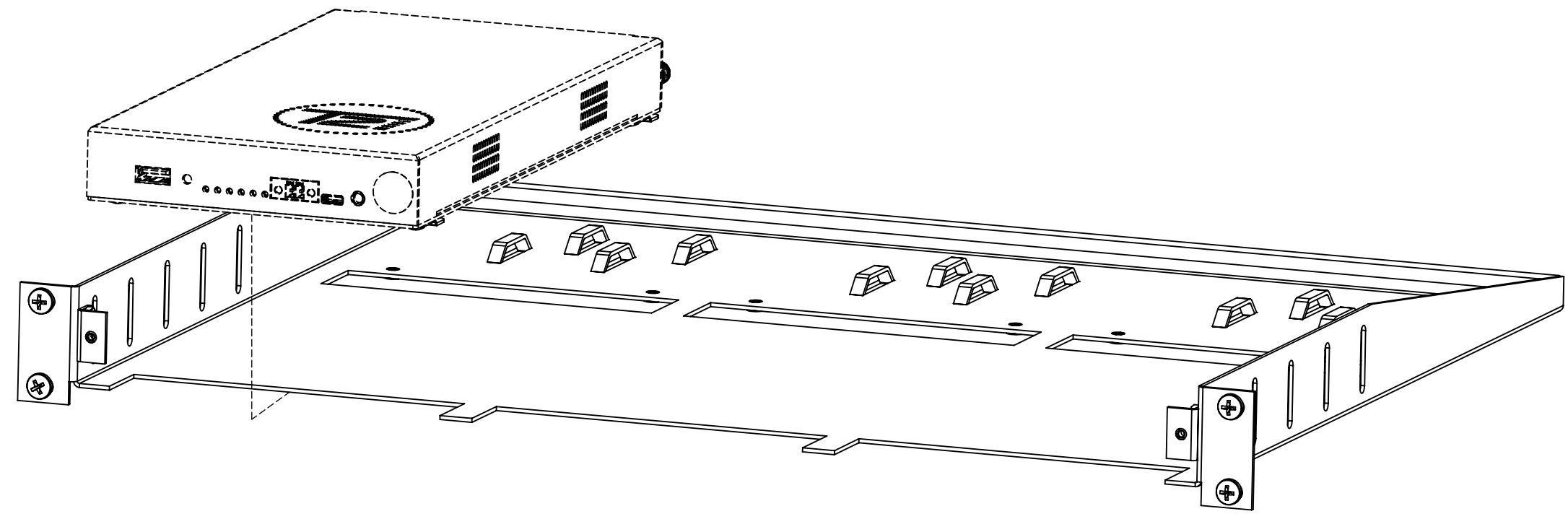
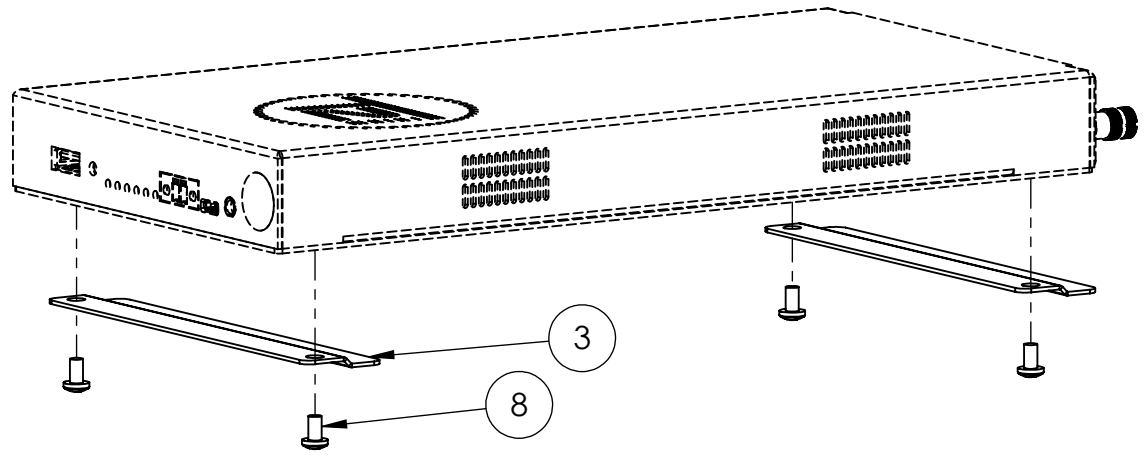
PROPRIETARY AND CONFIDENTIAL
 THE INFORMATION CONTAINED IN THIS DRAWING IS THE SOLE PROPERTY OF T21. ANY REPRODUCTION IN PART OR AS A WHOLE WITHOUT THE WRITTEN PERMISSION OF T21 IS PROHIBITED.

UNLESS OTHERWISE SPECIFIED:	NAME	DATE
DIMENSIONS ARE IN INCHES	DRAWN	kfb 8/27/2016
TOLERANCES:	CHECKED	
FRACTIONAL $\pm 1/32$	ENG APPR.	
ANGULAR: MACH \pm BEND \pm	MFG APPR.	
TWO PLACE DECIMAL $\pm .020$	Q.A.	
THREE PLACE DECIMAL $\pm .010$	COMMENTS:	
INTERPRET GEOMETRIC TOLERANCING PER:		
MATERIAL		
See Detail Drawings		
FINISH		
Paint Sheetmetal Black		
DO NOT SCALE DRAWING		

TITLE: T21-0011-01-ASY		
SIZE	DWG. NO.	REV
B	T21-0011-01-ASY	
SCALE: 1:3	WEIGHT:	SHEET 1 OF 2

8 7 6 5 4 3 2 1

D
C
B
A



PROPRIETARY AND CONFIDENTIAL
 THE INFORMATION CONTAINED IN THIS DRAWING IS THE SOLE PROPERTY OF T21. ANY REPRODUCTION IN PART OR AS A WHOLE WITHOUT THE WRITTEN PERMISSION OF T21 IS PROHIBITED.

UNLESS OTHERWISE SPECIFIED:		NAME	DATE
DIMENSIONS ARE IN INCHES	DRAWN	kfb	8/27/2016
TOLERANCES:	CHECKED		
FRACTIONAL ± 1/32	ENG APPR.		
ANGULAR: MACH ± BEND ±	MFG APPR.		
TWO PLACE DECIMAL ±.020	Q.A.		
THREE PLACE DECIMAL ±.010	COMMENTS:		
INTERPRET GEOMETRIC TOLERANCING PER:			
MATERIAL			
FINISH			
DO NOT SCALE DRAWING			



TITLE:			
T21-0011-01-ASY			
SIZE	DWG. NO.	REV	
B	T21-0011-01-ASY		
SCALE: 1:3	WEIGHT:	SHEET 2 OF 2	

8 7 6 5 4 3 2 1